



Integrated Chiller - Peltier Type

Model		FCSI06091	
Cooling method		Thermoelectric device (Thermo-module)	
Radiating method		Forced fluid cooling	
Control method		Cooling/Heating automatic shift PID control	
Ambient temperature/humidity		10~35° C, 35~80%RH	
Interactive/display		10-inch touchscreen	
Number of integrated chillers		300W×6 units	
Number of integrated TEC temperature controllers		9 units	
Circulating fluid system	Circulating fluid		DI Water
	Operating temperature range		10.0~60.0° C
	Temperature stability		±0.05° C
	Port size	IN/OUT	Inner and outer diameter of the tube 16×13mm
		IN/OUT	Inner and outer diameter of the tube 12×9mm
		Drain	Inner and outer diameter of the tube 12×9mm
Wetted parts material		Stainless steel 304, EPDM, PE, ABS	
Electrical system	Power supply		Three-phase 208V, 50/60 Hz
	Overcurrent protector		40A
	Communication port		RS-485
	Communication protocol		Modbus rtu
Weight		Approx. 210kg	
Chiller	Cooling capacity		300W (25°C) ※ 1
	Heating capacity		680W (25°C) ※ 1
	Temperature stability		±0.05° C ※ 2
	Pump		Magnetic drive pump 22L/min, 11m lift
	Tank capacity		Approx. 1.2 L
	Weight		Approx. 10.25kg
	Safety standards		EN61010-1 CE marking

※ 1 Ambient temperature 25°C, Set temperature 25°C, Circulating fluid flow rate 5.5L/min

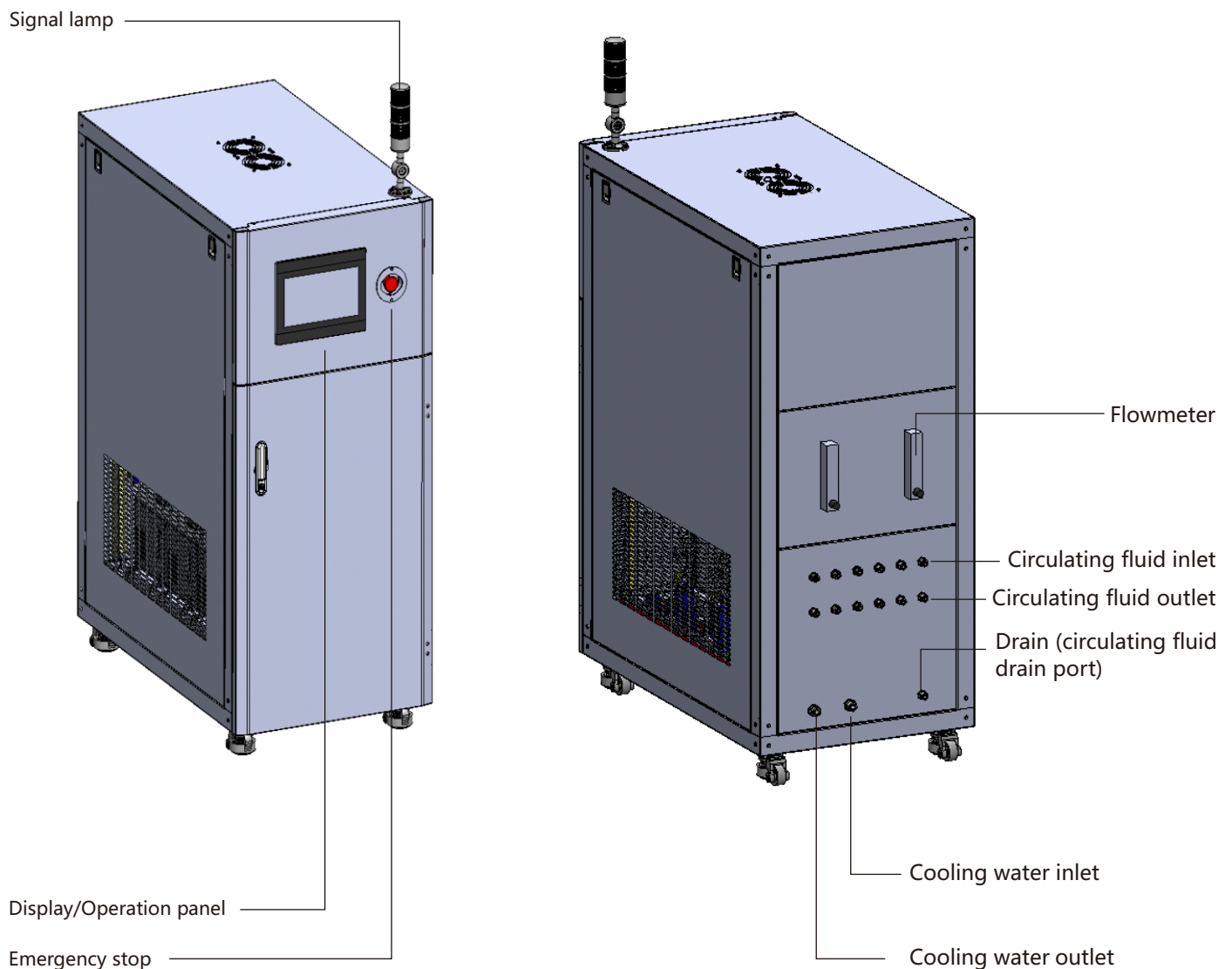
※ 2 Under stable load without turbulence

TEC temperature controller component	Output voltage	12V-48V
	Rated output current	0-20A
	Switching power supply	24V 600W ※3
	Temperature resolution	0.01℃
	Temperature control range	-199.99℃~99.99℃
	Temperature stability	±0.05℃
	Protective function	Short circuit protection, Overload protection, Overheating protection
	Cooling method	Forced air cooling
	Weight	Approx. 4kg

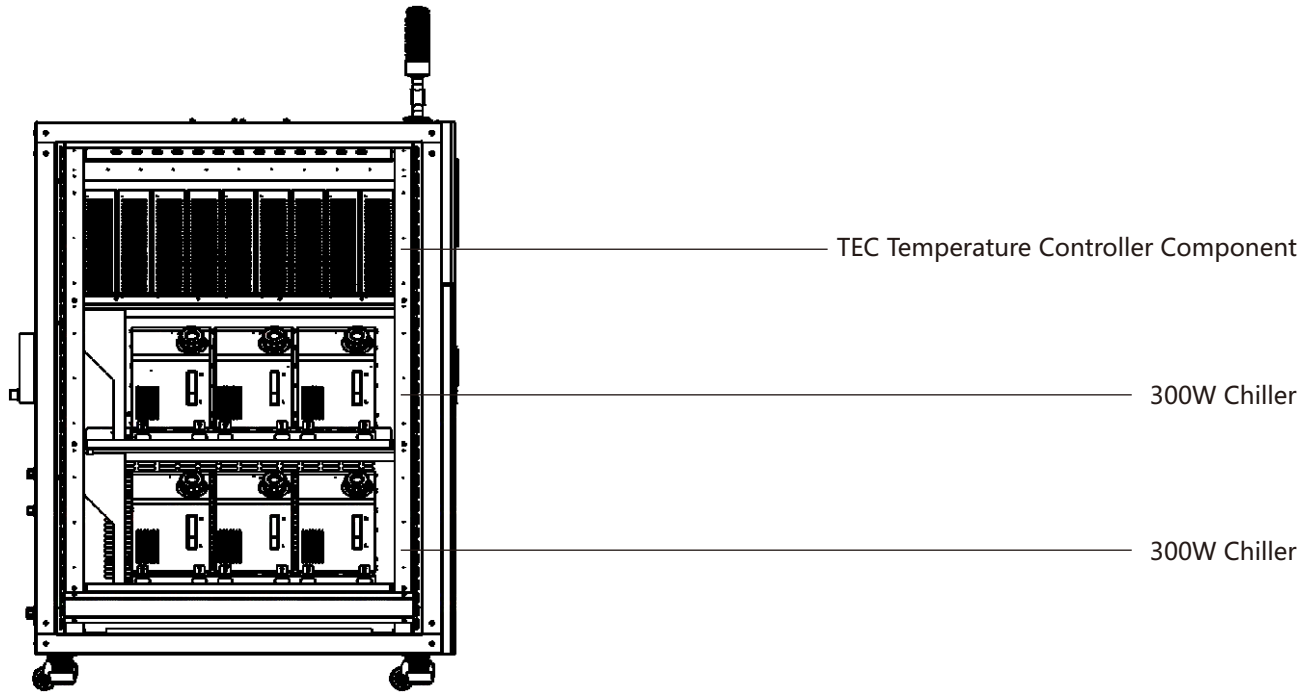
※ 3 According to customer demands.

Integrated Chiller - Peltier Type

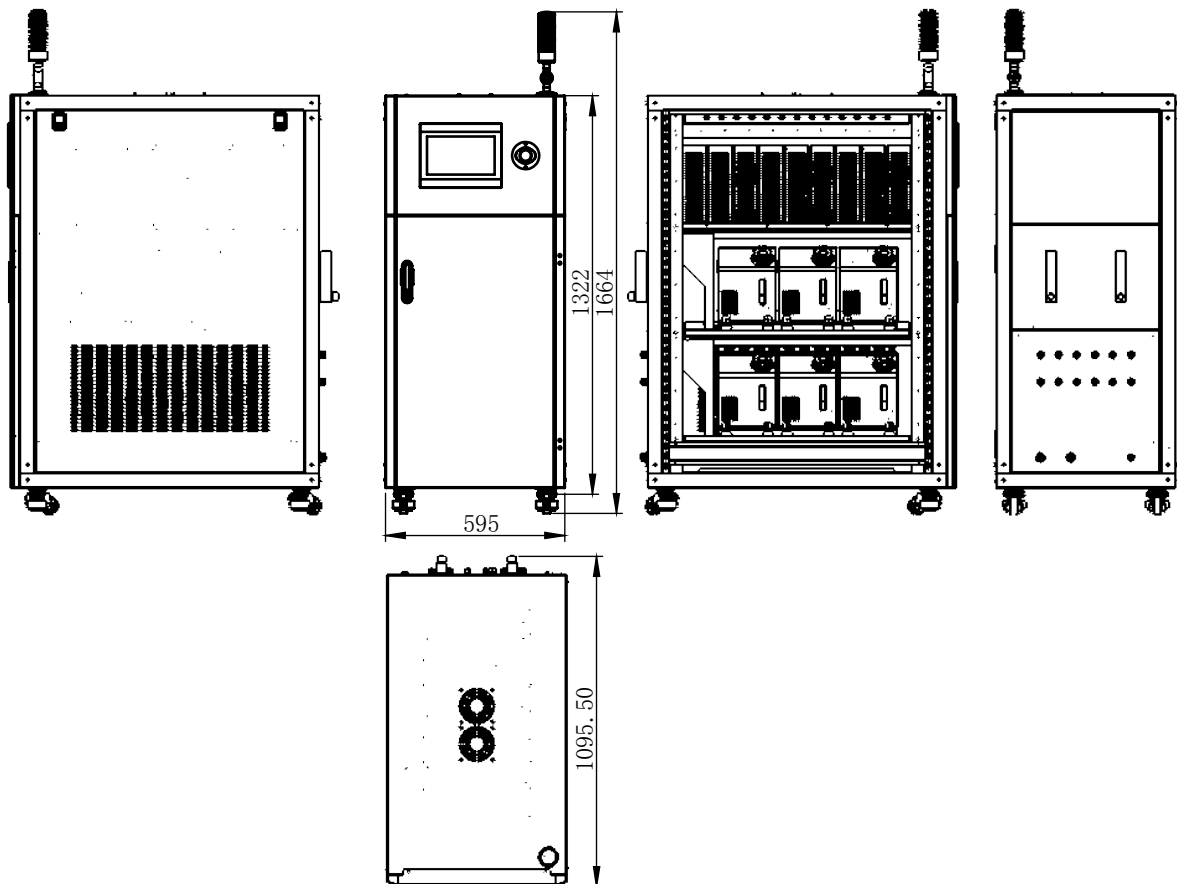
Parts Description



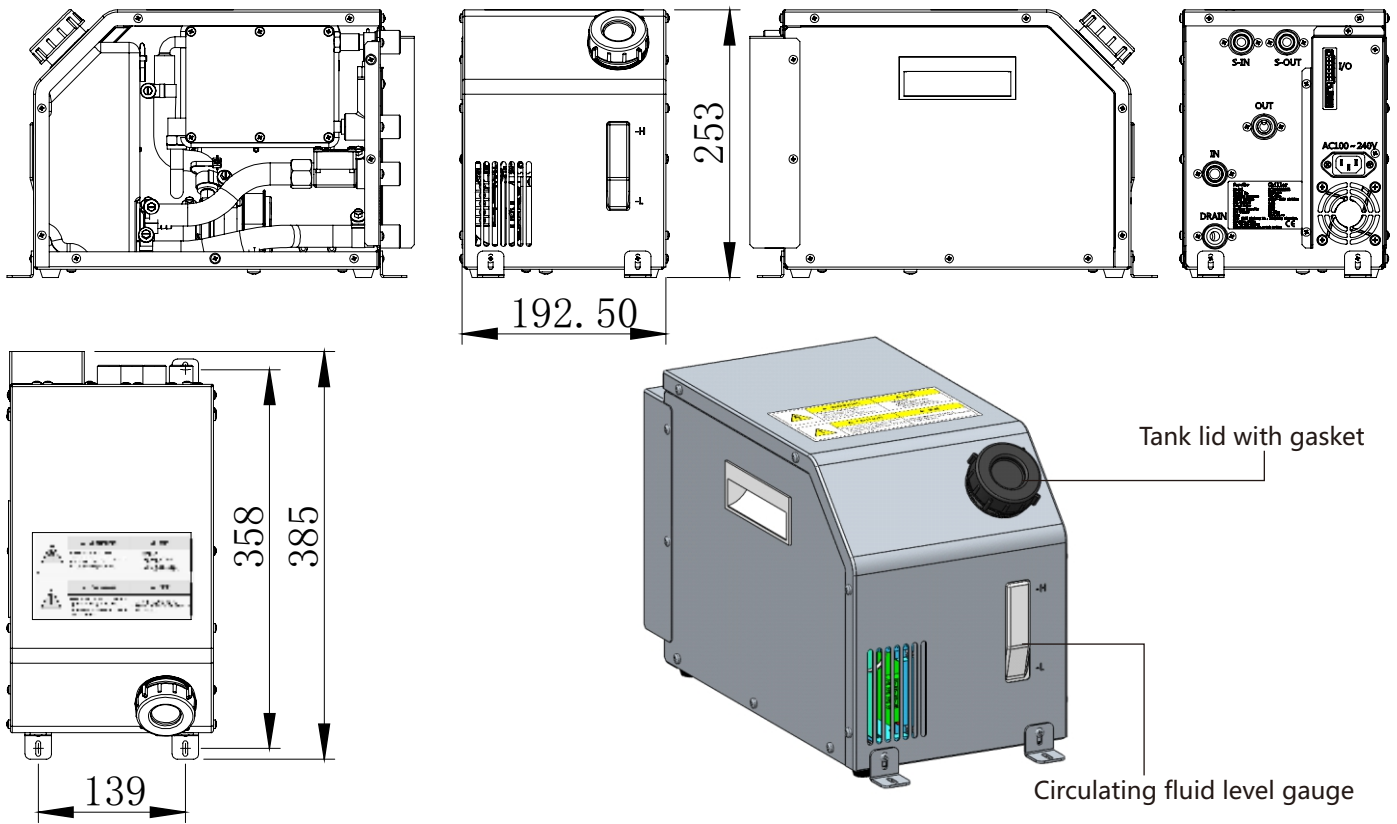
Parts Description



Parts Description



**Chiller
Parts Description**



**TEC Temperature Controller Component
Parts Description**

