



Vapor compression refrigeration-Type Chiller

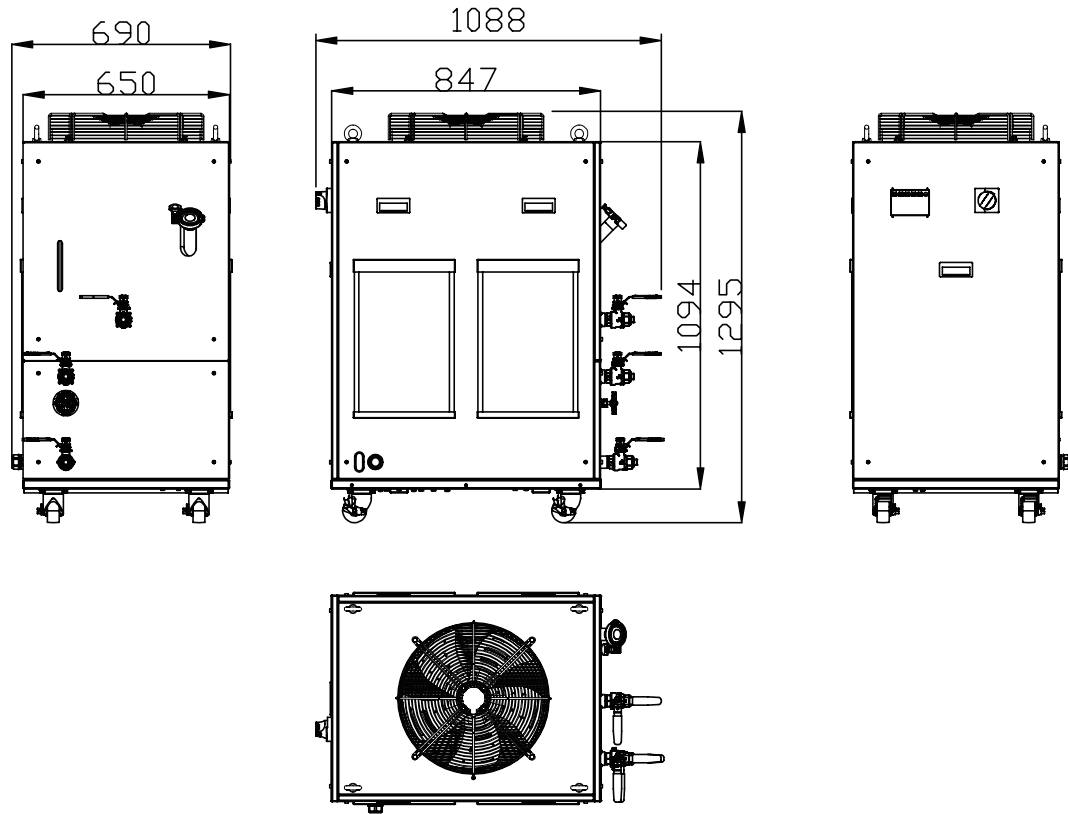
Model		FCCA10311-9601		
Cooling method		Air-cooled refrigeration		
Ambient temperature/humidity		5°C-40°C, 30-70%RH		
Refrigerant		R410A		
Quantity of Refrigerant		1.15 kg		
Circulating fluid system	Circulating fluid		Pure water/15% ethylene glycol in water	
	Operating temperature range		5.0°C-35.0°C	
	Cooling capacity		10KW (20°C) ※1	
	Heating capacity		1.5KW (20°C) ※1	
	Temperature stability		±0.1°C ※2	
	Pump	Rated flow rate (Outlet)		Centrifugal pump 45L/min, 50m lift
		Maximum flow rate		120L/min
		Maximum lifting height		70m
	Settable pressure range		0.1~0.7Mpa	
	Minimum necessary flow rate		20L/min	
	Tank capacity		Approx. 20L	
	Port size	IN/OUT		G1/G1
		Tank filling port		φ 34
Wetted parts material		EPDM, SUS 304, Cu, PVC, PTFE, POM		
Electrical system	Power supply		3-phase 380 to 415VAC (50 /60 Hz) Allowable voltage range ±10%(No continuous voltage fluctuation) 3-phase 460 to 480VAC(60Hz) Allowable voltage range +4%, -10% (Max. voltage less than 500V and no continuous voltage fluctuation)	
	Rated current		30A	
	Rated operating current		10 A(460V/60Hz)	
	Rated power consumption		6.77kW(460V/60Hz)	
	Communications		I/O, RS485, RS232	
	Size		650mmx850mmx1295mm (WxDxH)	
	Weight		Approx. 180kg	
	Accessories		/	

※ 1 Ambient temperature 32°C, Setting temperature 20°C, Circulating fluid flow rate 45L/min, Power supply: 460V, 60Hz.

※ 2 Under stable load without turbulence.

Vapor compression refrigeration-Type Chiller

Parts Description



Parts Description

